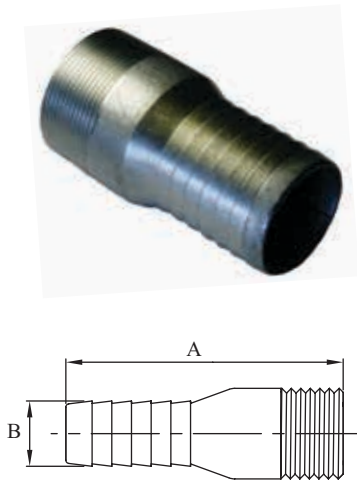
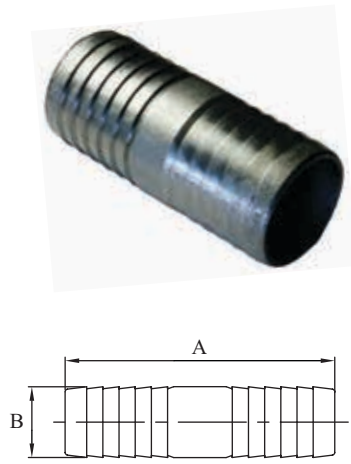


PEAL® Galvanised Mild Steel Combination Nipple



Galvanised Mild Steel Combination Nipple				
AAP CODE	IMPERIAL SIZE	A	B	APPROX. (KG/PC)
SCN15G	1/2	79	13.5	0.06
SCN20G	3/4	85	19.9	0.12
SCN25G	1	87	26.2	0.15
SCN32G	1 1/4	105	32.5	0.24
SCN40G	1 1/2	103	38.9	0.28
SCN50G	2	116	51.6	0.40
SCN65G	2 1/2	141	64.3	0.64
SCN80G	3	162	77.0	0.85
SCN94G	4	181	102.2	1.57
SCN96G	6	215	152.0	3.4

PEAL® Galvanised Mild Steel Hose Joiner



Galvanised Mild Steel Hose Joiner				
AAP CODE	IMPERIAL SIZE	A	B	APPROX. (KG/PC)
SHJ15G	1/2	85	13.5	0.06
SHJ20G	3/4	95	19.9	0.12
SHJ25G	1	100	26.2	0.15
SHJ32G	1 1/4	112	32.5	0.19
SHJ40G	1 1/2	115	38.9	0.23
SHJ50G	2	117	51.6	0.43
SHJ65G	2 1/2	139	64.3	0.77
SHJ80G	3	175	77.0	1.21
SHJ94G	4	216	102.2	2.00
SHJ96G	6	270	152.0	5.0

PEAL® Black Mild Steel Blank End



Black Mild Steel Blank End				
AAP CODE	SIZE IMPERIAL	Dia	A	APPROX. (KG/PC)
BE25	1	30	4.7	0.03
BE32	1 1/4	37	4.7	0.04
BE40	1 1/2	48	4.7	0.07
BE50	2	57	4.7	0.09
BE65	2 1/2	72	4.7	0.15
BE80	3	83	4.7	0.18
BE94	4	114	4.7	0.4
BE94U	4	108	4.7	0.4
BE95	5	126	4.7	0.48
BE96	6	160	4.7	0.75